

STUD WELDING PRODUCTS, INC.

SURE SHOT

ONLY 10.5 lbs!



FEATURES & BENEFITS

- The most compact and lightweight welding unit available in the industry
- Designed to support both gap and contact welding methods
- Rugged construction stands up to even the roughest treatment and harshest environments
- Highly flexible design can be used in a wide range of industrial and insulation applications
- Rapid operation delivers an incredible 24 continuous welds per minute
- Innovative safety features protect operators like no other unit can
- Ground Fault Interruption (GFI) protection — An industry first

The SureShot is designed for the convenience and comfort of the operator. With a stud capacity of up to 1/4" steel and stainless steel, the unit is ideal for use in light industrial applications. Its portability on the job —enhanced by its adjustable shoulder strap—makes the SureShot a smart choice for insulation applications as well.

The SureShot measures 10 5/8" x 9 11/16" x 6 7/8" (270 mm x 246 mm x 174 mm) and is lightweight at 10.5 lbs (4.76 kg)—the lightest unit available. Its tough, corrosion- proof plastic case is made from an ultra-high-impact co-polymer that provides extra insulation and resists rusting and denting in even the most demanding work environments. The demand fan and thermal shut-down protection also prevent possible damage to the unit.

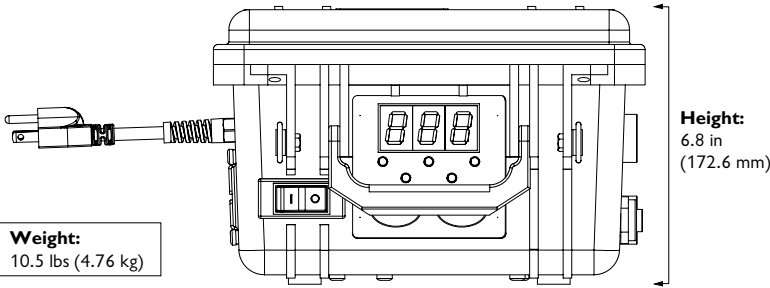
The SureShot allows you to auto-select the type of welding on the spot, by supporting both gap and contact welding. This automatic, double capability performs the work of two tools in one!

The SureShot ensures safe operations for all users. A microprocessor conducts continuous system checks for component fault and controls unit shut-down. Dual weld SCRs provide maximum weld current restriction safety. Operator lights clearly indicate status, and the included manual simplifies error code look-up.

Made in the USA

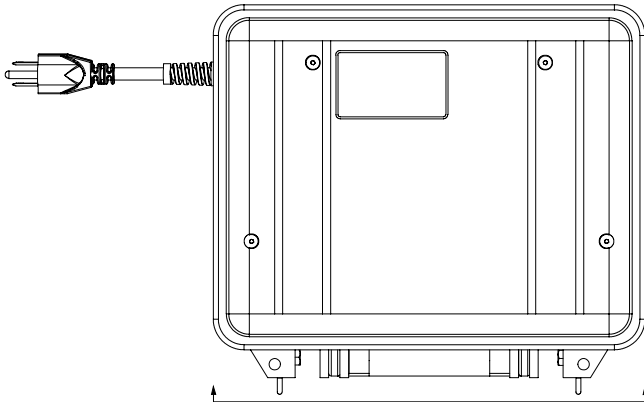
MECHANICAL SPECIFICATIONS

Top View



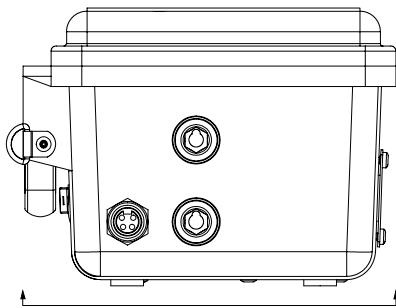
Weight:
10.5 lbs (4.76 kg)

Back View



Width:
10.6 in (268.3 mm)

Side View



Depth:
9.1 in (231.6 mm)

The SureShot is the result of imaginative thinking and a commitment to provide our customers with reliable, easy-to-use stud welding equipment. As a technology-driven industry leader in stud welding, Stud Welding, Inc. continues to provide innovative, cost-effective solutions to your fastening challenges. We can provide everything you need—equipment, technical expertise, value-added solutions, and exceptional customer service—all from one company.

CAPACITY SPECIFICATIONS

- Charge Time: < 3 seconds to maximum charge
- Duty Cycle: 24 welds/minute at maximum voltage

OPERATIONAL SPECIFICATIONS

- Indicator Lights (5)
- Resettable Breaker
- Fan Thermal Switch
- Safety Shutdowns
- 7 Segment Voltage/Message Display

ELECTRICAL SPECIFICATIONS	INCOMING	OUTGOING
VOLTAGE	120 VAC	40–150 VDC
CURRENT	15 A	3,000–9,000 A
HERTZ	50–60	DC
CAPACITANCE		66,000 μ f

FEATURES	WELD GUN
SIZE (LWH)	4 7/8" length, 2" width, 5 3/4" height (123.8mmx50.8mmx146.1mm)
WEIGHT	1.6 lbs. (.73 kg) (Not including cable)
WELDABLE DIAMETER	14 Ga. thru 1/4" (M6) Dia. Weld Base
MATERIAL	High strength, impact resistant polycarbonate

FEATURES	CABLES
GROUND CABLE	#4 x 15 ft. (4.6m) one each
GUN EXTENSION SET	#4 x 18/2 x 35 ft. (10.7m) direct to gun

* A complete system includes a power supply, weld tool, and ground cable.

To learn more about the SureShot or to discuss your requirements, call us at (800) 252-1919.

Check us out on the internet www.studweldprod.com or email info@studweldprod.com

Downey, CA

9459 Washburn Rd.
Downey, CA 90242
Phone- 800.252.1919
Fax- 562.862.3022

Hayward, CA

2391 American Ave.
Hayward, CA 94545
Phone- 510.782.7883
Fax- 510.782.7918

Kent, WA

19038 72nd Ave. South
Kent, WA 98032
Phone- 425.656.9787
Fax- 425.656.9786

Phoenix, AZ

3535 East Wier Ave., Ste. #4
Phoenix, AZ 85040
Phone- 602.305.9350
Fax- 602.305.4890